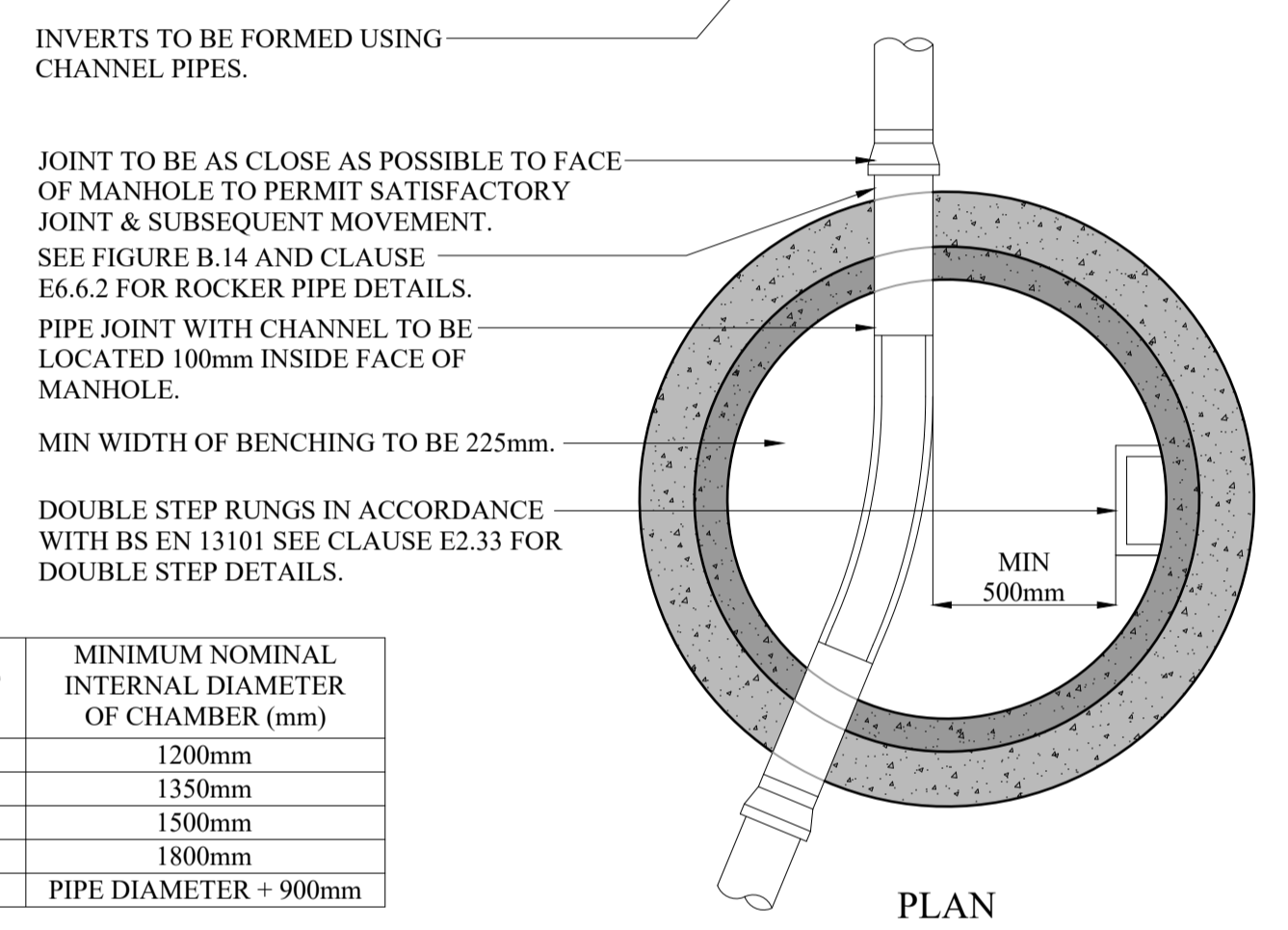
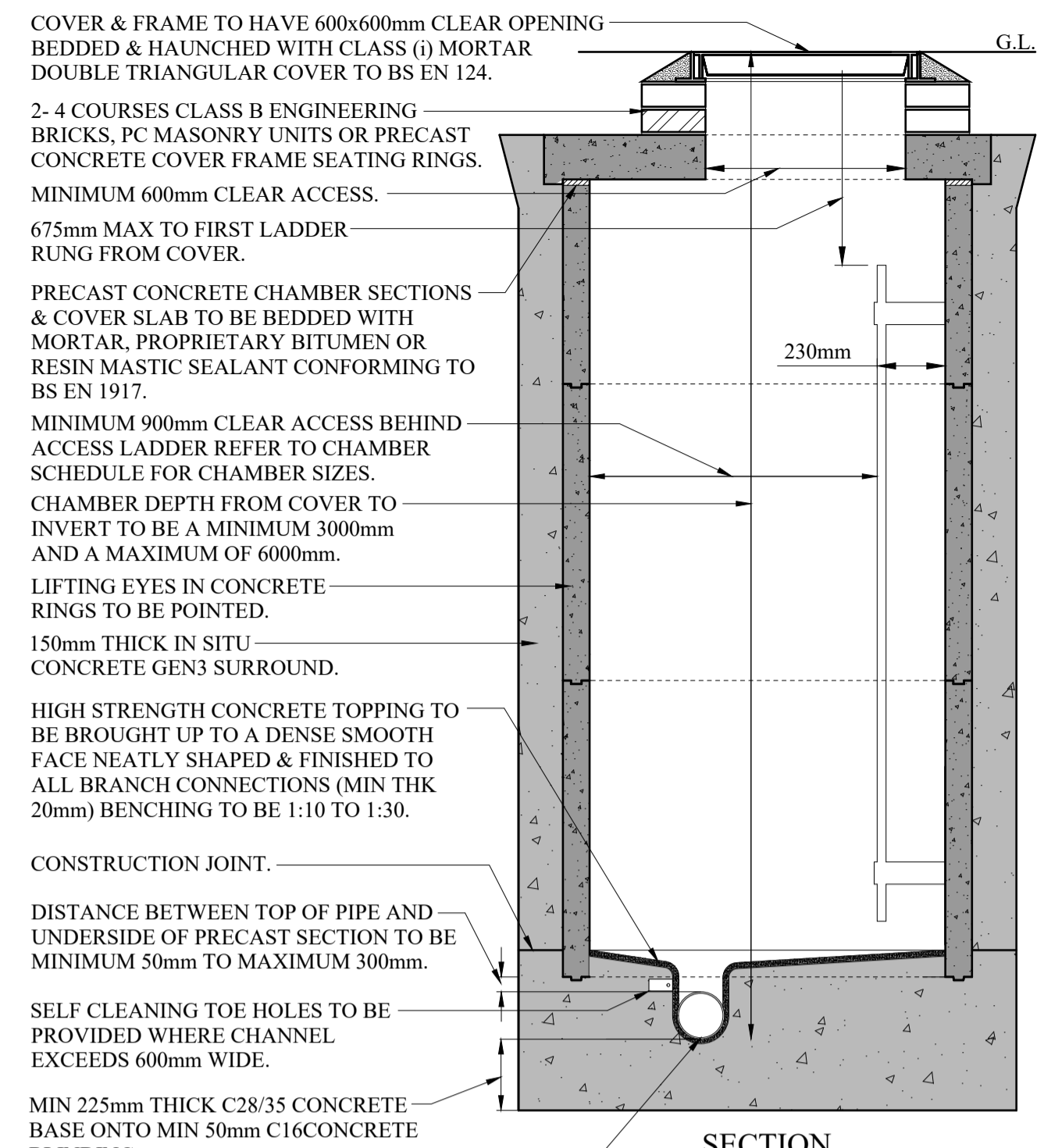


**TYPICAL INSTALLATION DETAIL FOR TYPE 2 INSPECTION CHAMBER**  
SCALE - 1:20



**TYPICAL INSTALLATION DETAIL FOR TYPE 1B INSPECTION CHAMBER**  
SCALE - 1:20

NOMINAL INTERNAL DIAMETER OF LARGEST PIPE IN CHAMBER (mm)	MINIMUM NOMINAL INTERNAL DIAMETER OF CHAMBER (mm)
LESS THAN 375mm	1200mm
375mm - 450mm	1350mm
500mm - 700mm	1500mm
750mm - 900mm	1800mm
GREATER THAN 900mm	PIPE DIAMETER + 900mm

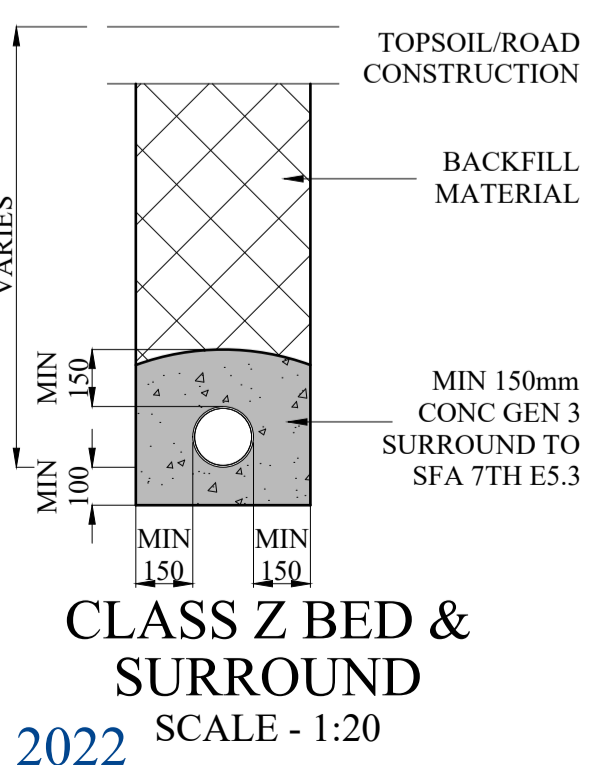
**SUITABLE FILL** - THE SUITABLE FILL SHALL BE SUITABLE FOR THE LOCATION AND SHALL BE CAREFULLY COMPACTED TO PROVIDE A STABLE FILL WITHOUT DAMAGING THE PIPE. FILL UNDER CAR PARKING AREAS, SHARED DRIVES & PRIVATE ROADS SHALL BE WELL COMPACTED GRADED GRANULAR MATERIAL. FILL UNDER ADAPTIBLE ROADS MAY NEED TO BE TYPE 1 GRANULAR SUB-BASE MATERIAL - CHECK WITH HIGHWAY AUTHORITY IF APPROPRIATE.

**GRANULAR MATERIAL** - FOR RIGID PIPES THE GRANULAR MATERIAL SHOULD CONFORM TO BS EN:1610 Annex B Table B.15 AND SHOULD BE SINGLE SIZE MATERIAL OR GRADED MATERIAL FROM 5mm UP TO A MAXIMUM SIZE OF 10mm FOR 100mm DIA. PIPES, 14mm FOR 150mm DIA. PIPES, 20mm FOR PIPES FROM 150mm TO 600mm DIA. AND 40mm FOR PIPES MORE THAN 600mm DIA.

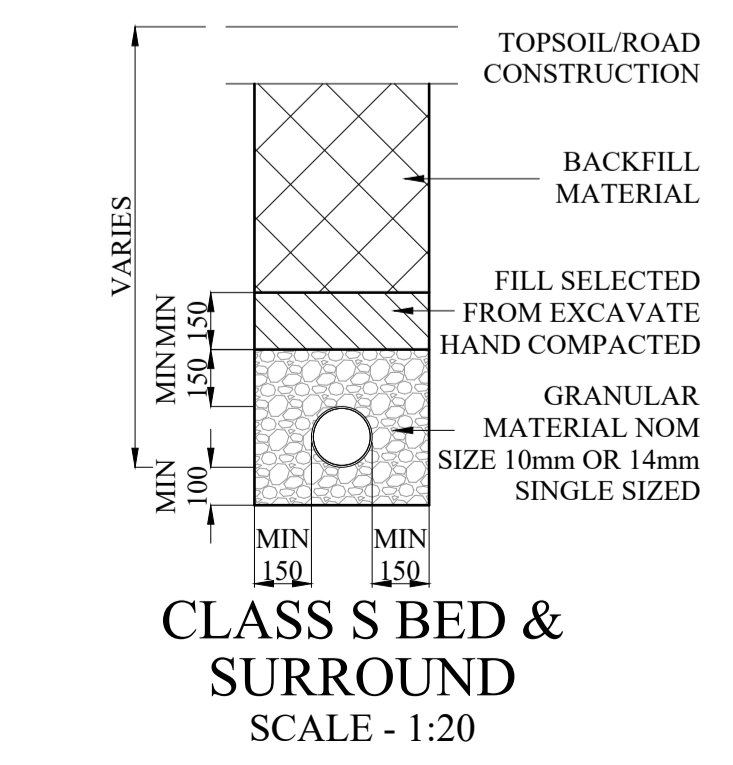
LIMITS OF COVER IN ANY WIDTH OF TRENCH			
Nominal Size	Laid in Fields	Laid in Light Roads	Laid in Main Roads
<b>CLASS 120 CLAYWARE PIPES (CLASS S BEDDING)</b>			
100mm	0.9m - 8.0m+	1.2m - 8.0m+	1.2m - 8.0m
150mm	0.9m - 8.0m+	1.2m - 8.0m+	1.2m - 8.0m
225mm	0.9m - 5.0m	1.2m - 5.0m	1.2m - 4.5m
400mm	0.9m - 4.5m	1.2m - 4.5m	1.2m - 4.0m
600mm	0.9m - 4.5m	1.2m - 4.5m	1.2m - 4.0m
<b>CLASS 120 CONCRETE PIPES (CLASS S BEDDING)</b>			
300mm	0.9m - 3.0m	1.2m - 3.0m	1.2m - 2.5m
450mm	0.9m - 3.5m	1.2m - 3.5m	1.2m - 2.5m
600mm	0.9m - 3.5m	1.2m - 3.5m	1.2m - 3.0m
<b>THERMOPLASTIC PIPES (CLASS S BEDDING)</b>			
100 - 300mm	0.9m - 7.0m	0.9m - 7.0m	0.9m - 7.0m
300 - 600mm	0.9m - 4.5m	0.9m - 4.5m	0.9m - 4.5m

**SEWERS THROUGH WALLS OR BENEATH FOUNDATIONS (SPREAD ONLY)** TO HAVE R.C BRIDGE LINTELS OVER & PIPE SURROUNDED IN FLEXIBLE MATERIAL (50mm). CONCRETE SURROUND TO SEWER TO BE FLEXIBLY JOINTED AT EVERY JOINT NOT WITHSTANDING THE ABOVE. MAXIMUM SPACING OF FLEXIBLE JOINT TO BE 3.0m. TO MAINTAIN THE FLEXIBILITY OF CONCRETE SURROUNDED SEWERS, CONCRETE PROTECTION SHALL BE INTERRUPTED OVER ITS FULL CROSS-SECTION AT EACH PIPE JOINT BY SHAPED COMPRESSIBLE FILLER.

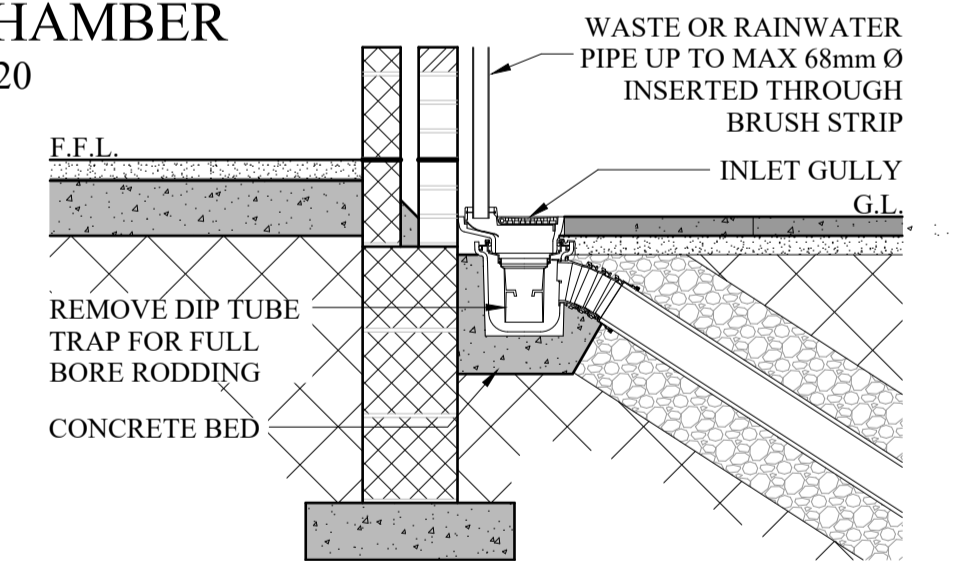
**GRANULAR BEDDING TYPE A** SHALL CONSIST OF AGGREGATES FROM NATURAL SOURCES SINTERED PULVERIZED FUEL ASH COMPLYING WITH THE RELEVANT PROVISIONS OF BS 882 AND BS 3792 PART 2 RESPECTIVELY AND TO BE SIZED ACCORDING TO PIPE DIAMETER.



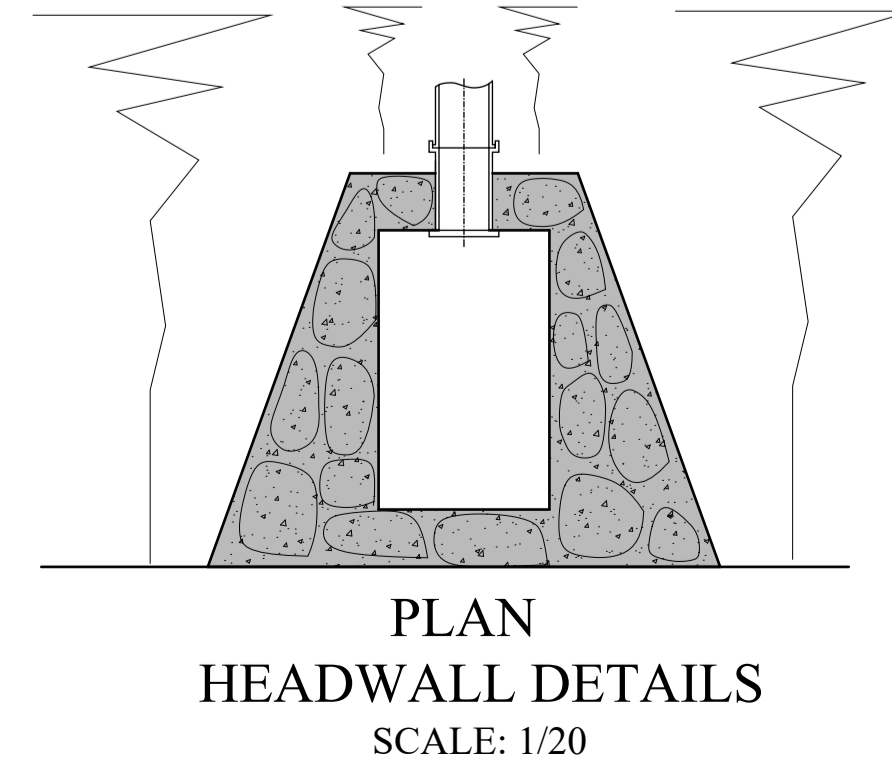
**CLASS Z BED & SURROUND**  
SCALE - 1:20



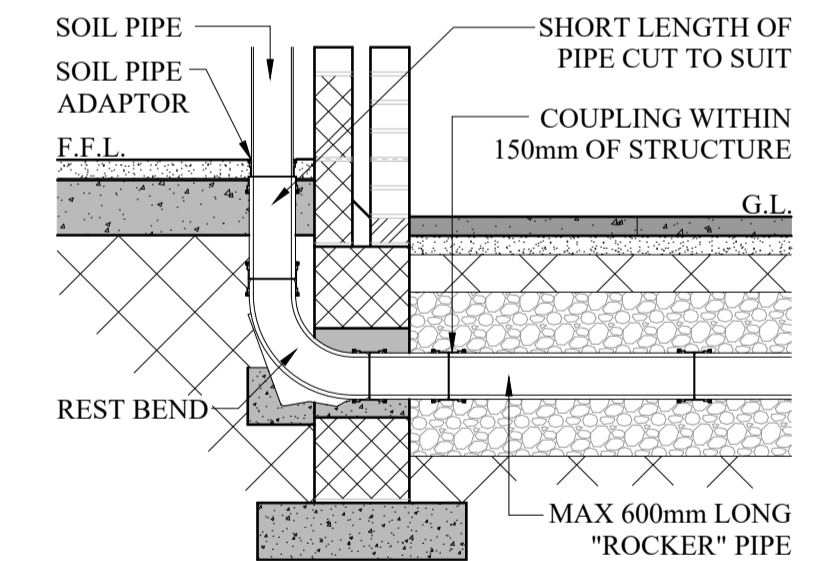
**CLASS S BED & SURROUND**  
SCALE - 1:20



**TYP. BACK INLET HOPPER DETAIL**  
SCALE - 1:20

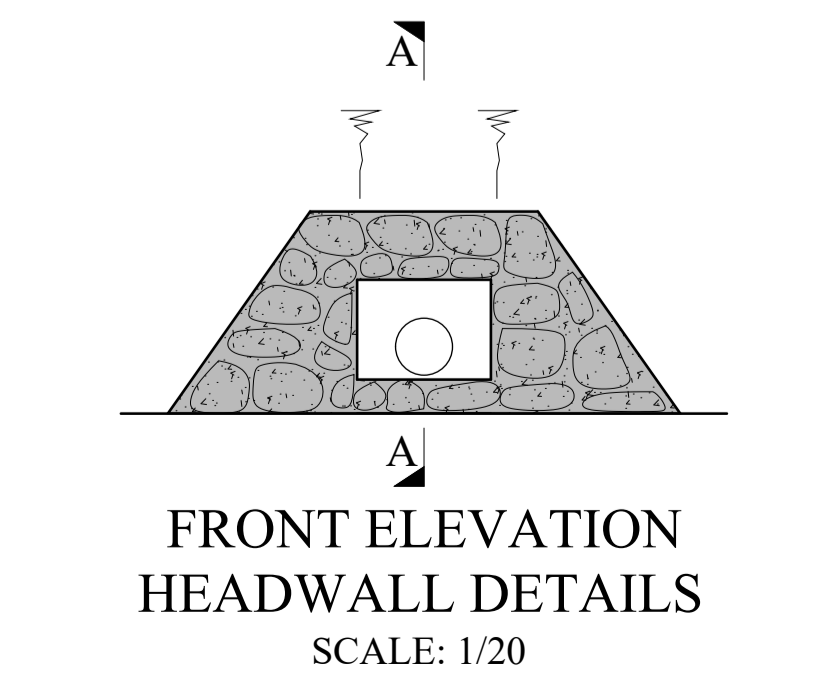


**PLAN HEADWALL DETAILS**  
SCALE: 1/20

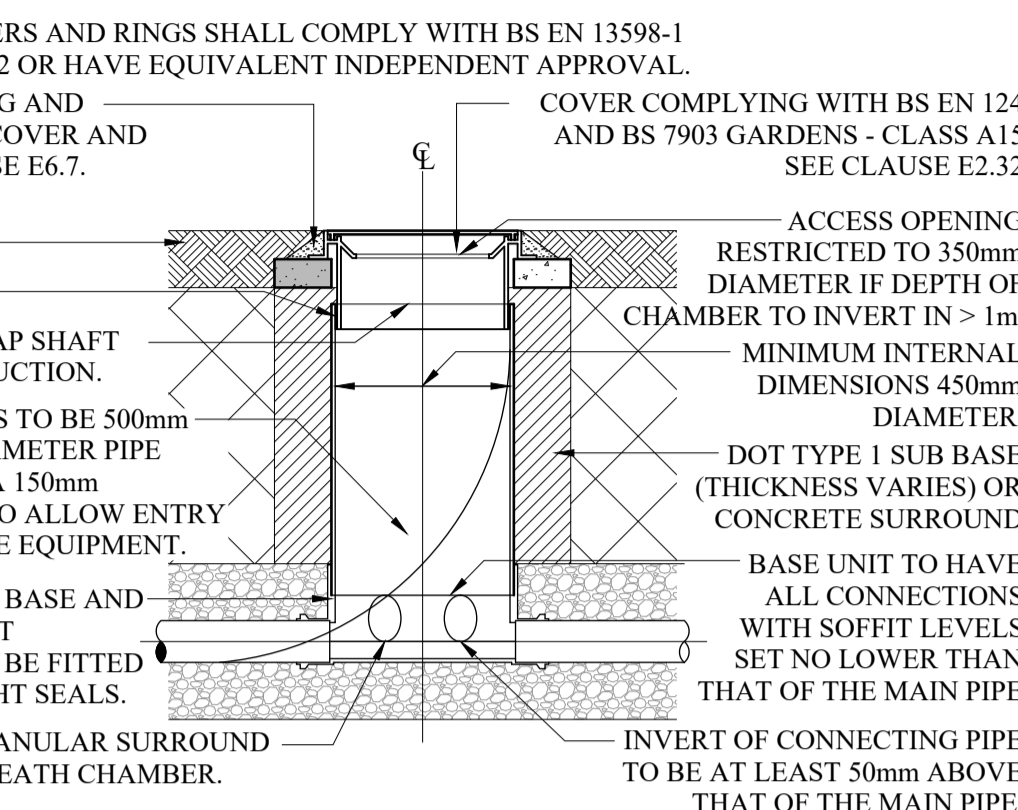
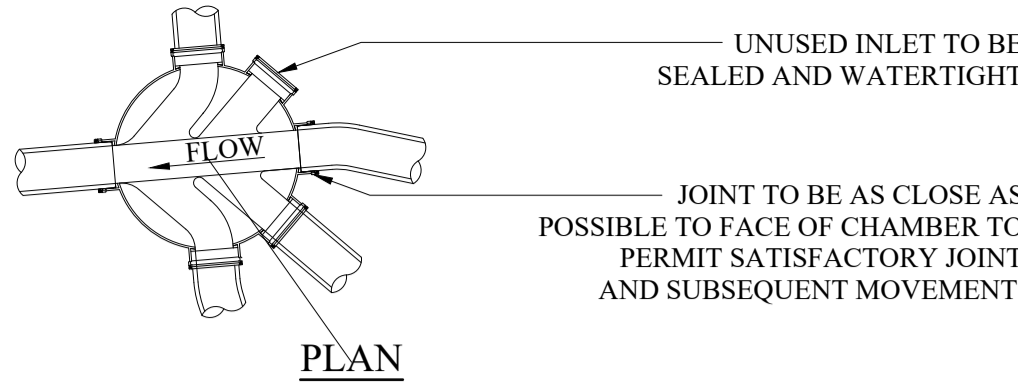


**SVP, SS & WC CONNECTION DETAIL**  
SCALE - 1:20

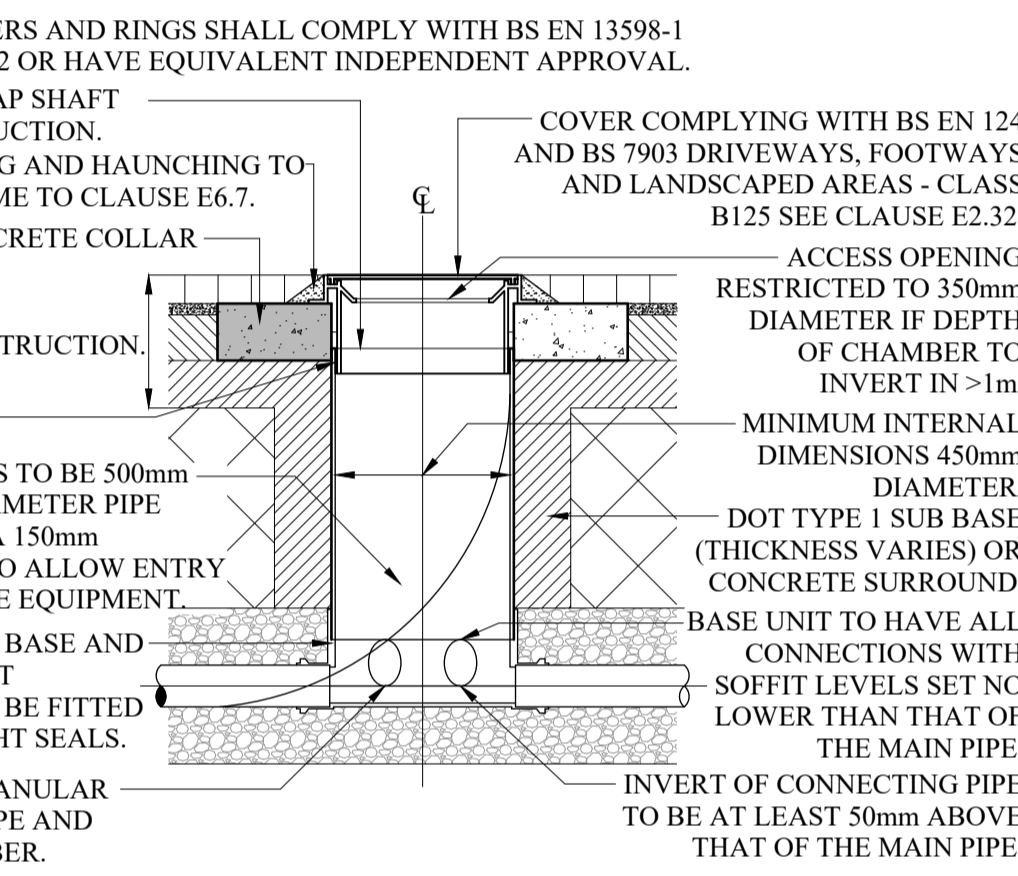
ROCKER PIPE LENGTHS	
NOMINAL DIAMETER	EFFECTIVE LENGTH
150mm - 600mm	600mm
601mm - 750mm	1000mm
OVER 750mm	1250mm



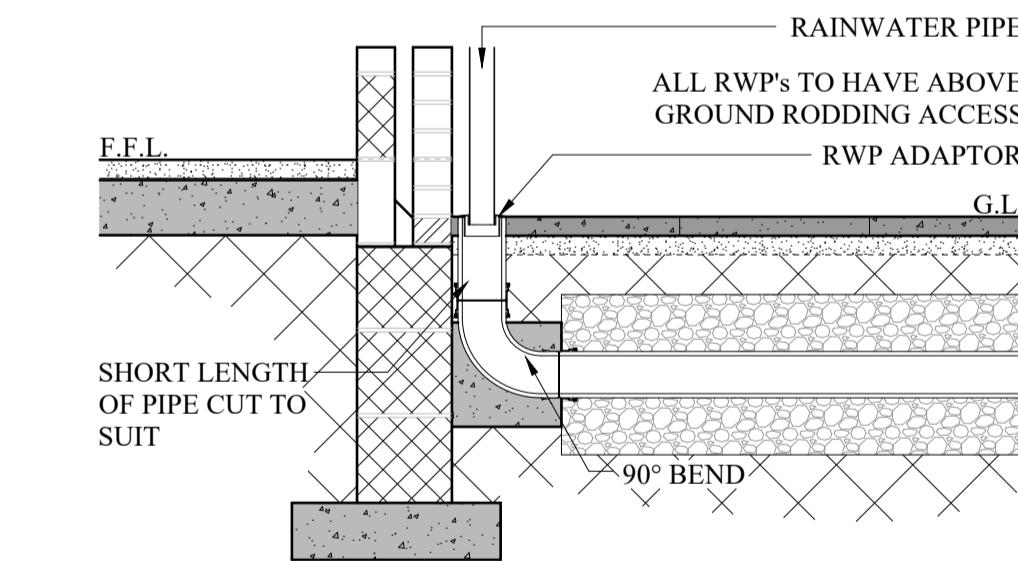
**FRONT ELEVATION HEADWALL DETAILS**  
SCALE: 1/20



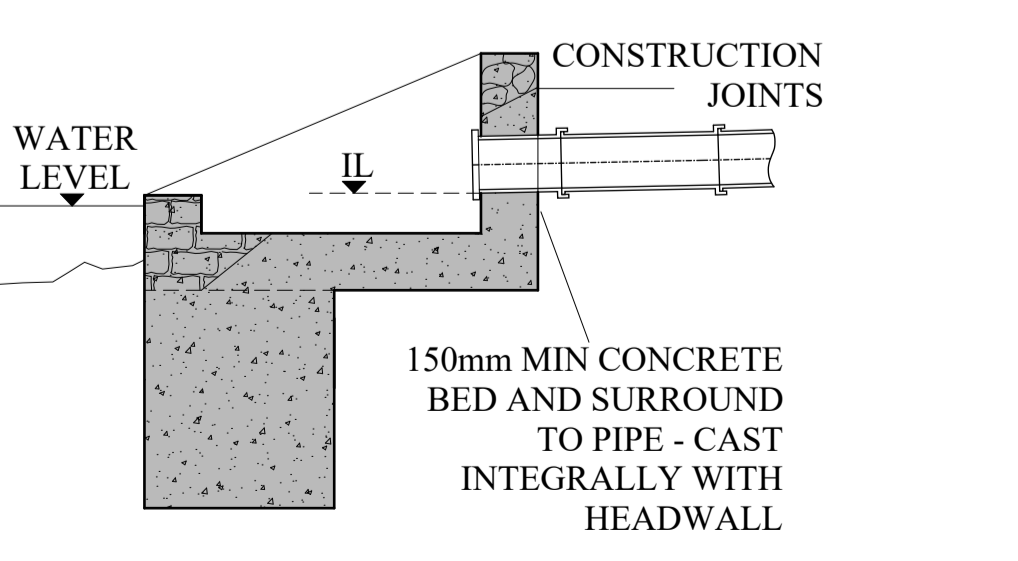
**TYPICAL DETAIL FOR Ø 460mm TYPE 3 INSPECTION CHAMBER (SITED IN DOMESTIC GARDENS)**  
SCALE - 1:20



**TYPICAL DETAIL FOR Ø 460mm TYPE 3 INSPECTION CHAMBER (SITED IN DRIVEWAYS/PAVED AREAS)**  
SCALE - 1:20



**RAIN WATER CONNECTION GULLY**  
SCALE - 1:20



**SECTION A-A**

- NOTES**
- DO NOT SCALE FROM THIS DRAWING.
  - ALL LEVELS IN METRES UNLESS NOTED OTHERWISE ON DRAWING.
  - ALL DIMENSIONS AND LEVELS TO BE CHECKED ON SITE PRIOR TO UNDERTAKING ANY WORKS. ORDERING MATERIALS OR FABRICATING ANY COMPONENTS.
  - THIS DRAWING IS TO BE READ IN CONJUNCTION WITH ALL OTHER RELEVANT ENGINEER'S AND ARCHITECT'S DRAWINGS AND RELEVANT SPECIFICATION CLAUSES.

**KEY**

**NOT FOR CONSTRUCTION**

SI	NO	DATE	DESCRIPTION	DRG	CHKD	APPR	DATE
		19.07.22	FIRST ISSUE				

DRAWING STATUS:

PROJECT TITLE:  
**HUWS GRAY, BRYN CEGIN INDUSTRIAL ESTATE, LLANDYGAI**

DRAWING TITLE:  
**PROPOSED DRAINAGE CONSTRUCTION DETAILS SHEET 1**

DRAWING No:

PROJECT	ORIGINATOR	VOL.	LOC.	TYPE	ROLE
017321	CCE	V1	XX	40:40:01	C

CLASSIFICATION No. SUTABILITY REVISION

ORIGINATOR	DATE	SCALE	ORIGINAL SIZE
M.Jones	19.07.2022	STATED	A1

**CADARN CONSULTING ENGINEERS**

Address: CADARN Consulting Engineers Ltd, Suite B, Anglesey Business Centre, Bryn Cefni, Llangefni, LL77 7XA

E-mail: Admin@cadarnconsulting.co.uk

Tel: 01407 730912